

Roller shutter escape drive adapter set S60

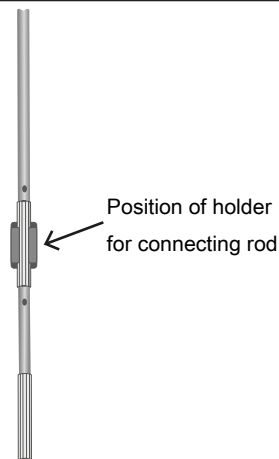
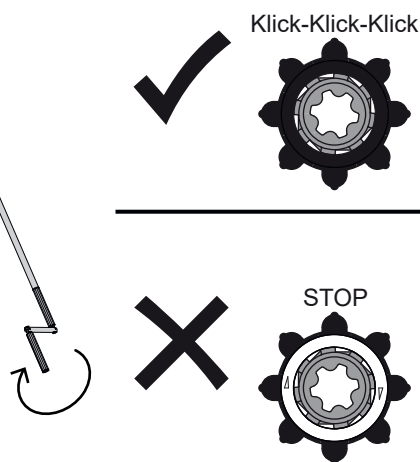
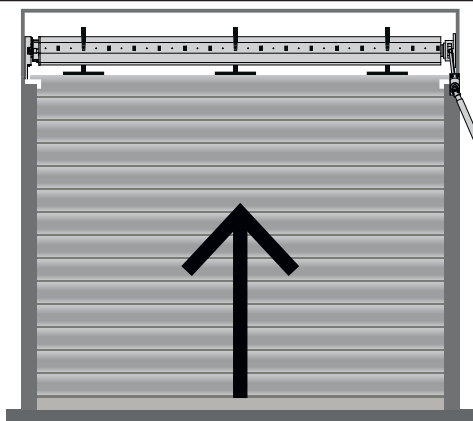
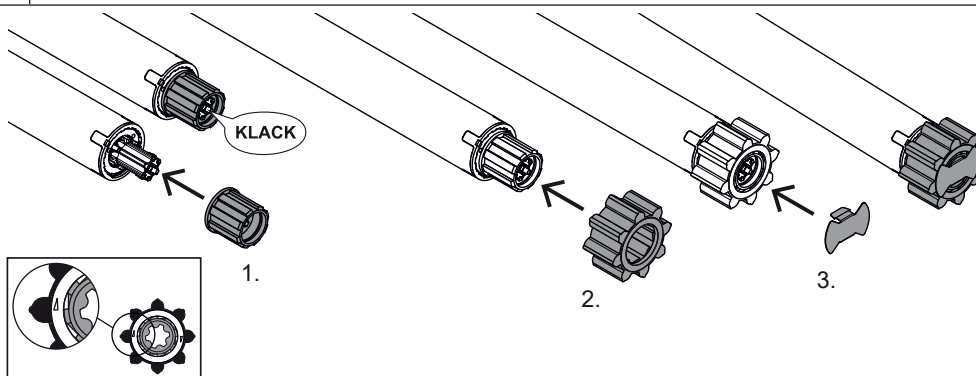
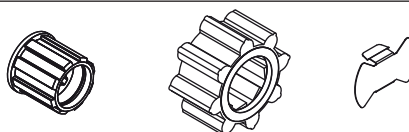
For tubular drive model E22 up to 12 Nm

Assembling the drive adapter



Caution

Never screw the drive adapter to the shaft. Make absolutely sure that the installation direction of the drive adapter is correct! The arrows on the white ring of the drive adapter must be pointing in the wind-up direction. Please ensure that the emergency crank handle and the pivoting bearing are decoupled before motorised operation.



Disassembling the drive adapter

